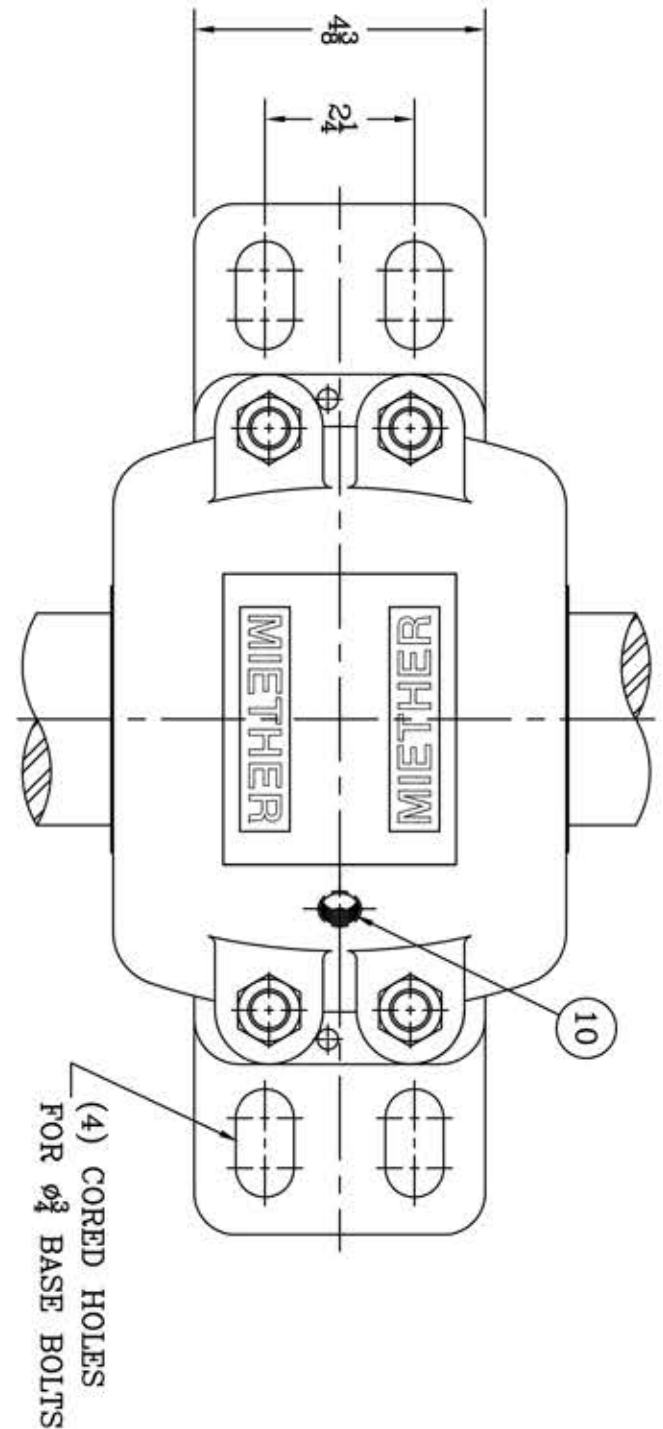
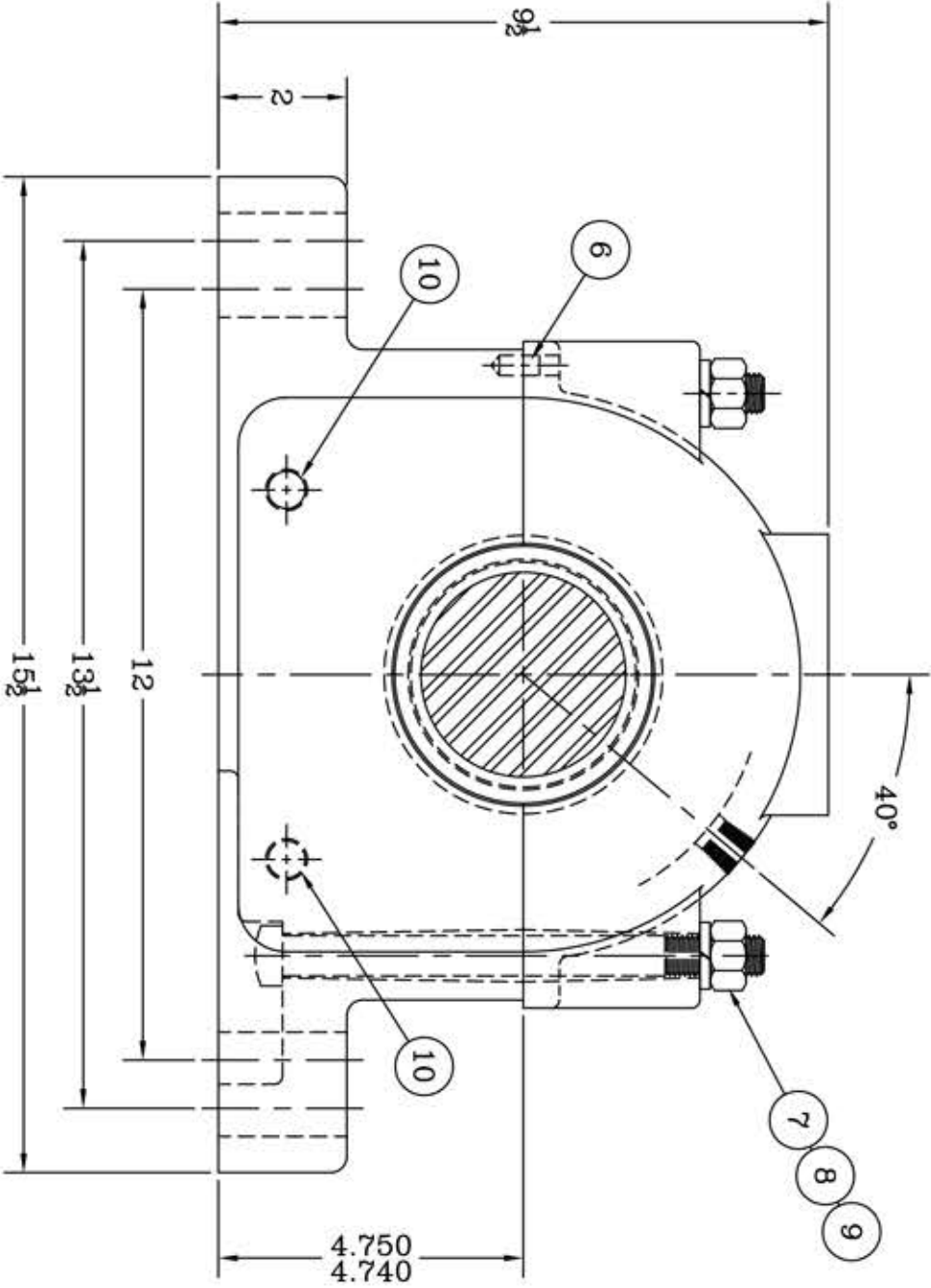


This drawing is the sole property of Miether Bearing Products and contains confidential and proprietary information. It is being provided to you for your use and may not be disclosed to any third party or used for any other purpose without Miether's prior written consent. The [materials] must be returned to the Company upon its demand. Your acceptance of these materials constitutes your acceptance of the foregoing terms.

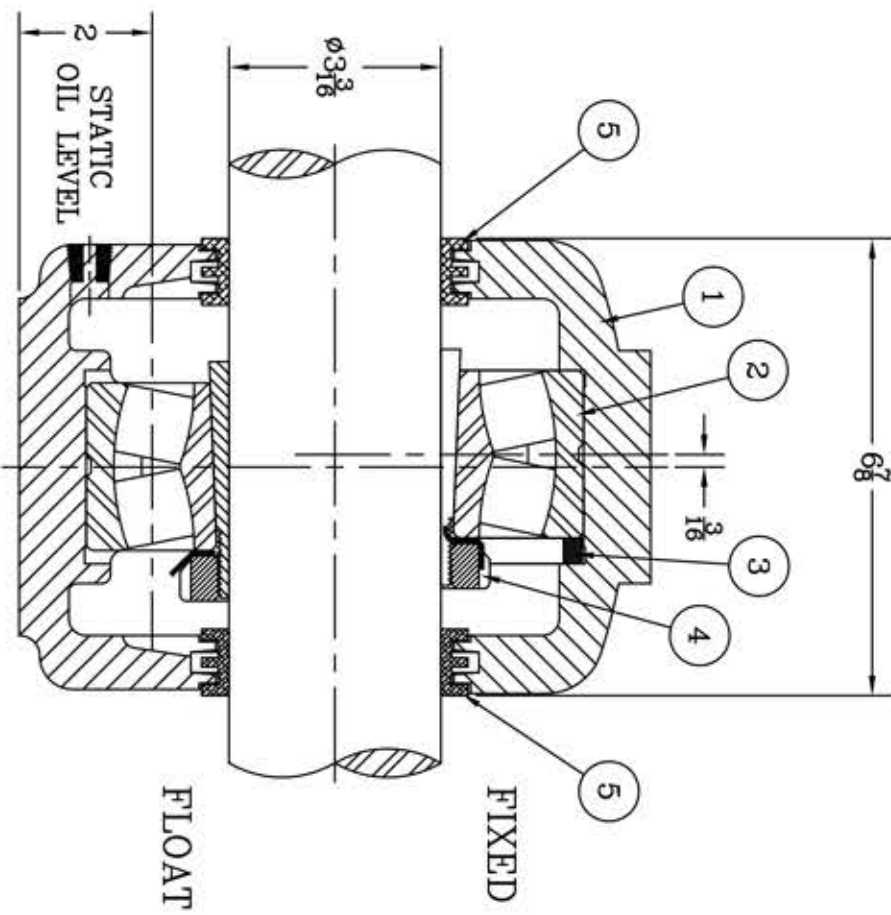
C-14493



(4) CORED HOLES FOR  $\phi 3$  BASE BOLTS



ITEM	DESCRIPTION	DETAIL	REQUIRED
1	HOUSING SAF 618 03-03	C-13183-R	1 1
2	SPHERICAL ROLLER BEARING	22318K/W-33	1 1
3	STABILIZING RING SR-21-18	A-11792	1 0
4	ADAPTER SNW-18 03-03	24381	1 1
5	TRIPLE SEAL RING LER-188	A-11797	2 2
6	DOWEL	$\phi 5/8$ x $3/8$ LONG	2 2
7	CAP BOLT SQUARE HEAD	$3/8$ -11 NC x $7/8$ LONG	4 4
8	CAP BOLT HEX. NUT	$3/8$ -11 NC	4 4
9	LOCKWASHER	$3/8$ SPLIT MED.	4 4
10	PIPE PLUG	$3/8$ -18 NPT	3 3



REDRAWN FOR CONFORMITY  
RWB per KAB  
5-3-04

REDRAWN TO SCALE  
ON COMPUTER WITH  
CHANGES by RWB  
10-5-98

REVISIONS

SYMBOL	DESCRIPTION
C	16
D	32
E	63
F	125
G	250
J	500
K	1000

TOLERANCE: UNLESS OTHERWISE SPECIFIED  
FRACTIONS  $\pm 1/32$ " ANGLES  $\pm 0^\circ 30'$   
DECIMALS  $\pm .005$  WELD  $\pm 1/16$ "  
CASTING  $\pm 1/16$ "

A.I.S.I. STANDARD FINISHES

AN ALCO INDUSTRIES COMPANY  
BEARING PRODUCTS  
ODESSA, TX. USA

SAF 22618 03-03	ASSEMBLY DRAWING
SCALE HALF	ASSEMBLY NO.
DRAWN CJ	DRAWING NO.
DATE 4/16/74	C-14493
CHK:	